



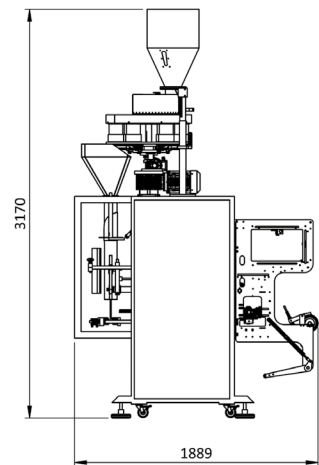
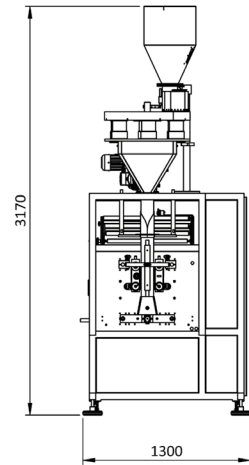
With this machine, you can pack your rice, sugar, salt, coffee granules, sugar, beans, wheat, grain products, als small granular products such as dried fruits, nuts can be packed smoothly and quickly. The products volumetric weight is calculated by the cups. Weight is extremely sensitive. Each cup provides the same amount of product. The volumetric cups volume can be adjusted from product to product. Thus, customers can pack their products in different weights required. This provides flexibility filling for the customer. it is capable of packing up to 45 packets per minute.

Technical Specifications

Number Of Lanes	Single Lane
Filling Weight Range	(20-100 gr) (100-500 gr) (500-2500 gr)
Bag Width	60 - 250 mm (adjustable)
Bag Length	Max 350 mm (adjustable)
Capacity	Max 40 bags/min
Filling System	Volumetric Cup Filler
Servo Motor	KOLLMORGEN
Control System	SIEMENS PLC
Pneumatic System	FESTO
Sensor	SICK
Construction Body	SS304
Parts In Product Contact	SS316
Package Style Format	3 side Seal
Maximum Roll Width	480 mm Max.
Maximum Roll Diameter	450 mm Max.
Compressed Air Cons.	6 Bar, (MAX 450 Litres/min)
Weigth of the Machine	650 Kgs
Electricity Connection	Can be produced according to your country's connection system.
Power Consumption	10 KW
Package Specification	12 PET, 7 AL, 35-60 PE
Application	Suitable for packing granular products, such as sugar, rice, salt etc.

Optional Features

Additional Collar - Date Coding System
Conveyor Belt - Easy Open Side Tear Notch
Perforation - Gusset
Auto Feeding System - Elevator



SUITABLE FOR

Packing rice, sugar, salt, coffee granules, sugar, beans, wheat, grain products, als small granular products such as dried fruits, nuts etc.



Dimensions, weight, power usage and technical drawings are for the machine in the picture. There may be slight variations for different machines.